

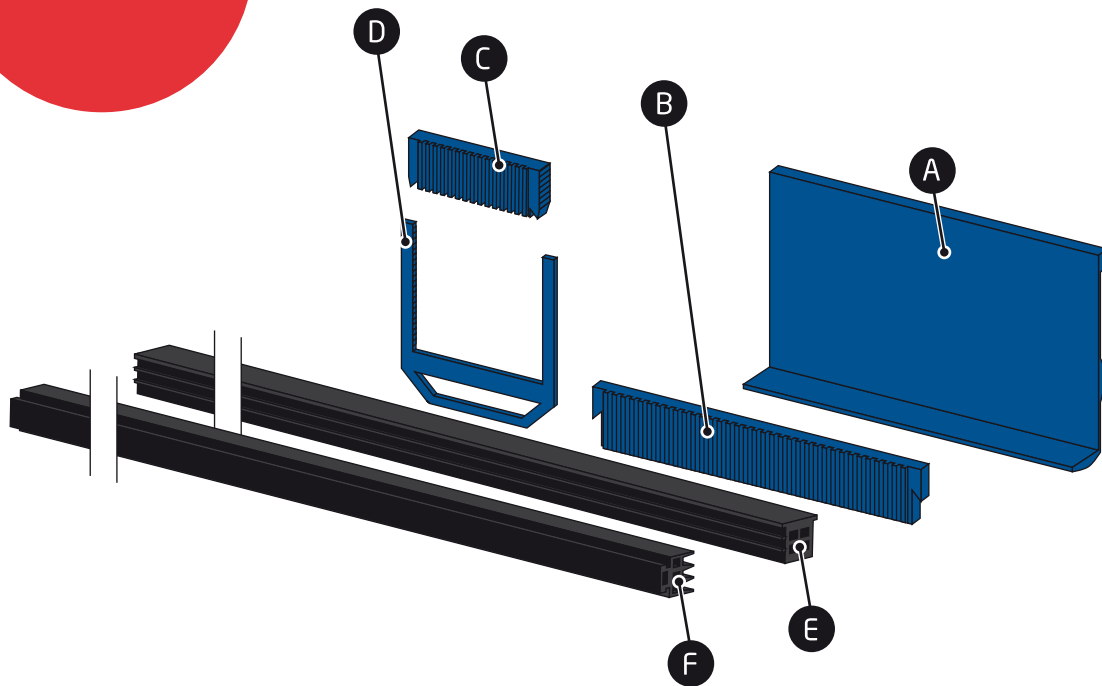
PL-14 Level In

INSTALLATION INSTRUCTIONS



comenza

Railing Passion



Parts for the piece

N°	Elements	LG	
A		--	10
B		--	10
C		--	10
D		--	10
E		2500	1
F		2500	1

***The PL-14 Level In Kits only allow glass panels with 2 or 4 interlayers.**

Necessary elements not included

N°	Elements	
1	BR-2041	
2	BR-2039	

Warning

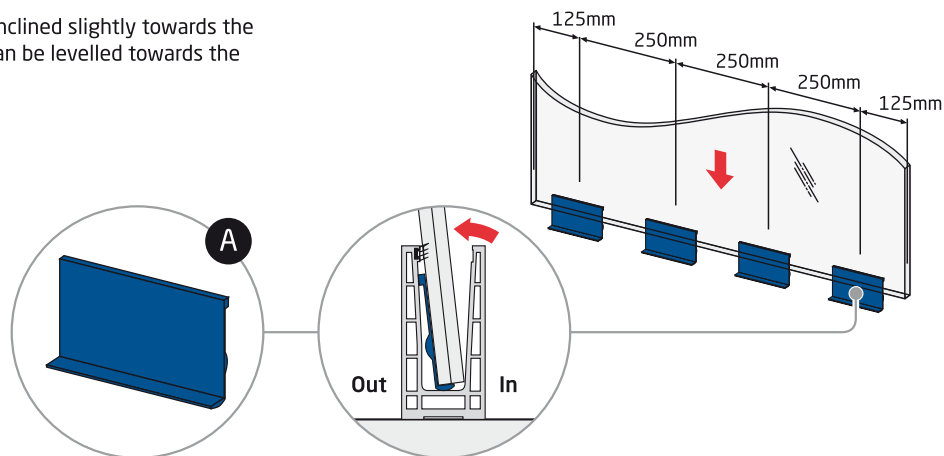


The user is responsible for determining the suitability of the information provided for the specific use that will be made of the product. Given the great diversity of materials existing on the market and the various forms of application that are beyond our control, we recommend that in each case, practical testing and sufficient controls should be carried out to ensure the suitability of the product in each specific application. The contents of this document may not be reproduced, whether in whole or in part, without written authorisation from COMENZA.

Step 1 - Installing spacer A

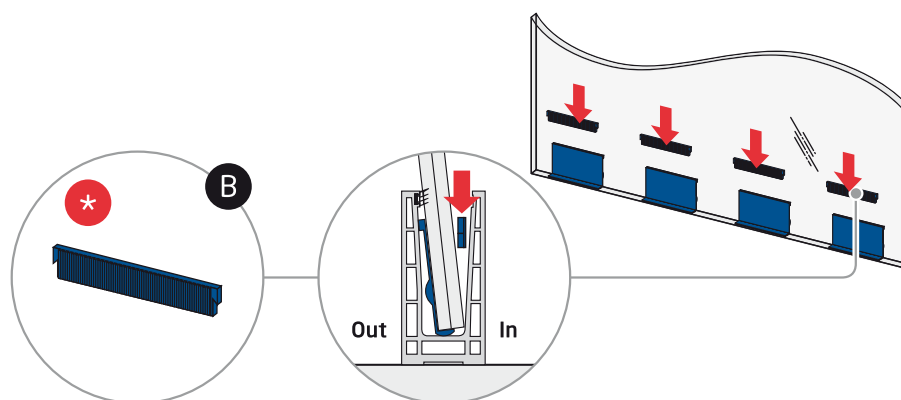
Install the L-shaped spacer (part "A" from the PL-14 Level In Kit) on the exterior side of the profile, with a maximum distance of 250 mm between them and 125 mm from the start of the glass panel (distances refer to the centres of the spacers).

The glass must be inclined slightly towards the exterior so that it can be levelled towards the interior side later.



Step 2 - Installing "Bottom Wedge" B

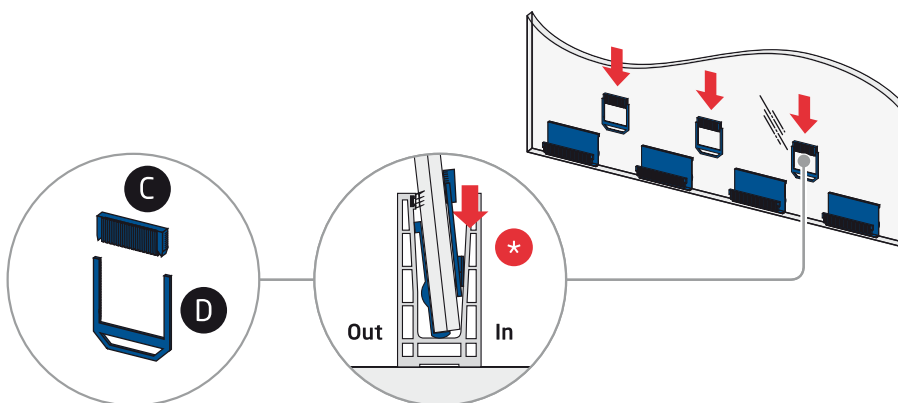
Install the lower "Bottom Wedge" wedges (part "B" from the PL-14 Level In Kit) directly across from the previously installed "A" spacers. Let them fall between the glass and the profile, without tightening.



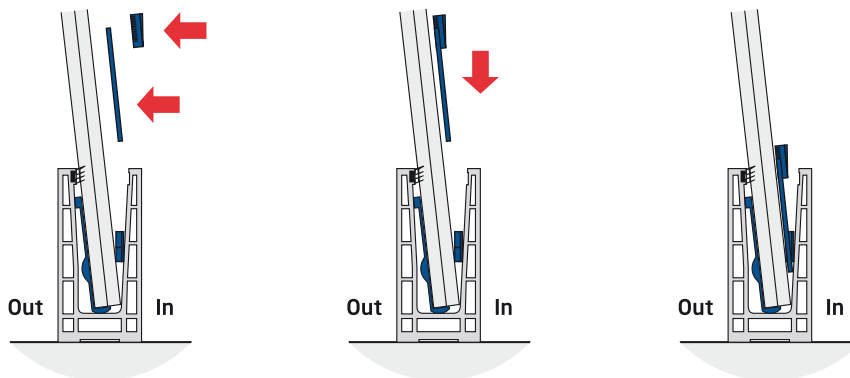
Make sure that the wedges are installed following the "Glass Side" indication.

Step 3 - Installing "Top Wedges" C and D

Install the upper "Top Wedge" wedges (part "C" with safety device "D" from the PL-14 Level In Kit), between the lower "B" bottom wedges.

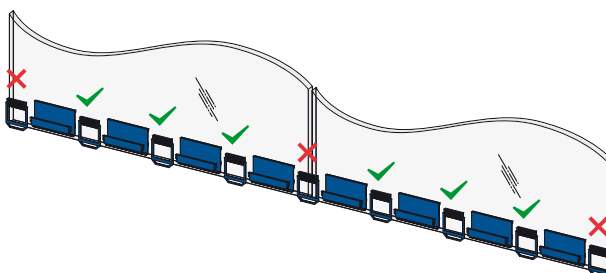


These wedges must be installed in their highest position in order to allow for levelling towards the interior later.



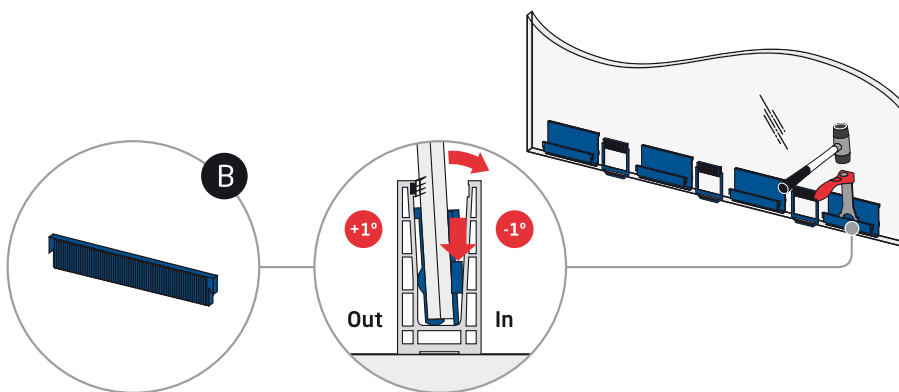
Important

The "Top Wedge" upper wedges must be installed between the "Bottom Wedge" lower wedges, and never close to the ends of the glass panels.



Step 4 - Levelling for "Bottom Wedge"

Levelling of the glass is performed by lightly hitting the lower "B" wedge or "Bottom Wedge", which causes the glass to rotate from the exterior towards the interior until the panel has become level.



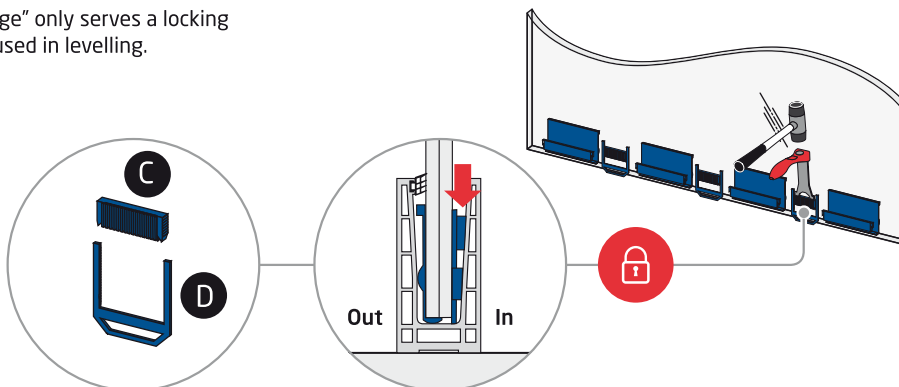
Step 5 - Lock position of "Top Wedge"

Once the glass is levelled, lightly hit the upper "C" wedge or "Top Wedge", in order to lock the levelling and prevent the glass from moving towards the interior.



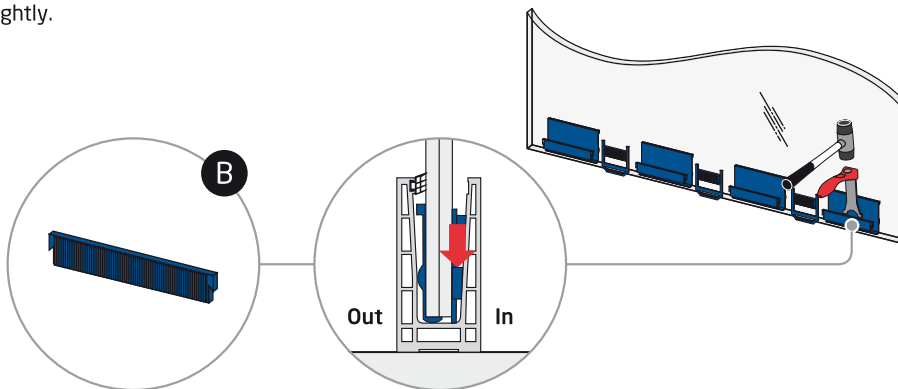
Important

The upper "Top Wedge" only serves a locking function and is not used in levelling.



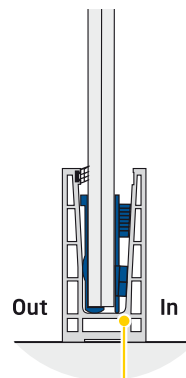
Step 6 - Attachment of the glass to "Bottom wedge"

Once the glass is levelled it must be attached, by hitting the lower "B" wedges or "Bottom Wedges" in order to apply pressure to the glass. If necessary, you can apply fine-tuning to correct the position, by hitting the upper "C" wedges or "Top Wedges" very lightly.



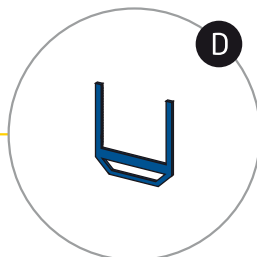
Important

The upper "Top Wedges" only serve a locking function and are not used in levelling, so excessive pressure must not be placed on them.



Important

The "Top Wedge" safety device (part "D"), must be pressed all the way against the base of the profile. Manually push it below the upper tabs of the U (part "D" from the PL-14 Level In Kit) from the safety device until it reaches a position pressed against the base of the profile.





Comenza, S.L.

Avda. Benigno Rivera 100,
Pol. Ind. Ceao 27003 (Lugo), Spain
T +34 982 207 227
F +34 982 209 589

www.comenza.com
sales@comenza.com

